

APPLICATION:

PRODUCT NAME:
POT FILLER HOSE STYLE SINGLE WALL MOUNT WITH VACUUM BREAKER

JOB NAME:

_____ SPECIAL CONFIGURATION
 (CHECK BASE MODEL AND OPTIONS)

QUANTITY:

ITEM NO.:

MODEL:

2740

OPTIONS OR MODIFICATIONS:

- SUPPLY LINES (24" OR 36") CIRCLE LENGTH
- ADD-ON FAUCET (6",8",10",12",14",16") CIRCLE LGTH
- IN-LINE DUAL CHECK VALVE
- PIPE HOOK
- NIPPLES
- ELBOWS
- VANDAL RESISTANT KIT
- HANDLES (CROSS OR WRIST) CIRCLE STYLE
- OTHER _____

FEATURES:

CONTROL VALVE

- * SINGLE WALL MOUNT
- * STEM - RIGHT HAND
- * SWIVELING SEAT DISKS
- * HOT & COLD INDEX BUTTONS
- * STAINLESS STEEL SEATS
- * STAINLESS STEEL SEAT SCREWS
- * STAINLESS STEEL HANDLE SCREWS

HOSE

- * 60" LENGTH
- * STAINLESS STEEL END FITTINGS
- * STAINLESS STEEL EXTERNAL JACKET
- * BRAIDED USDA APPROVED FOODGRADE INTERNAL HOSE
- * REPAIRABLE IN FIELD WITH SIMPLE TOOLS

POT FILLER VALVE

- * NON SCRATCHING/ MARRING TUBE
- * 5.00 GPM AT 80 PSI
- * AERATED STREAM

SWIVEL ELBOW

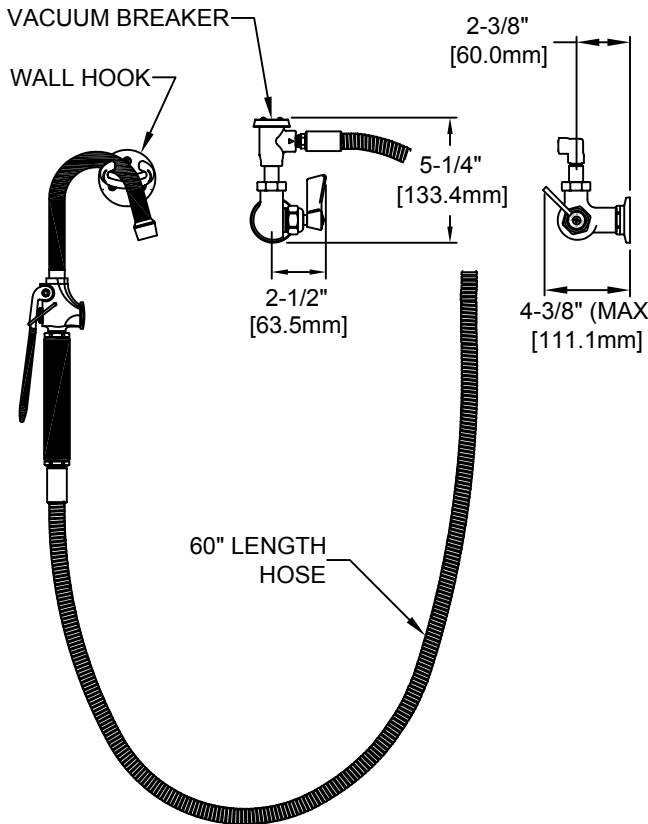
- * 360° TURNING RADIUS
- * ATMOSPHERIC VACUUM BREAKER

SYSTEM LIMITS

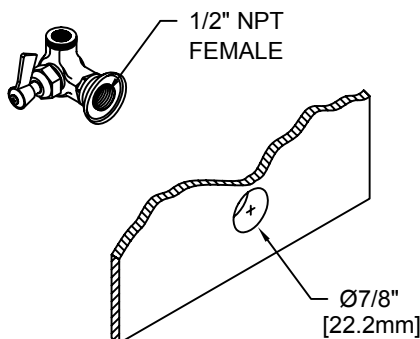
- * TEMP: 40°F MIN. TO 140°F MAX.
- * PRESSURE 200 PSI MAX. STATIC

SHIPPING WEIGHT

- * 6.5 LBS



ROUGH-IN:



ANSI/A112.18.1M, ANSI/NSF 61.9

FISHER

FISHER MANUFACTURING COMPANY

TOLL FREE: 800-421-6162 - FAX: 800-832-8238
 information@fisher-mfg.com - www.fisher-mfg.com